

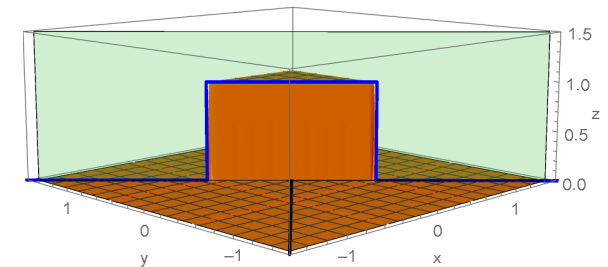
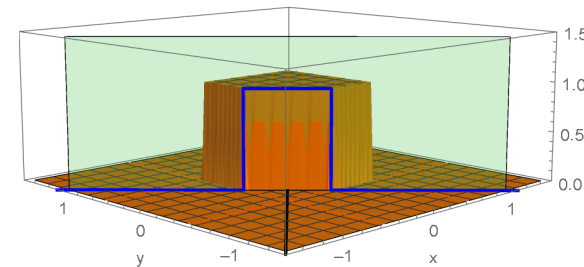
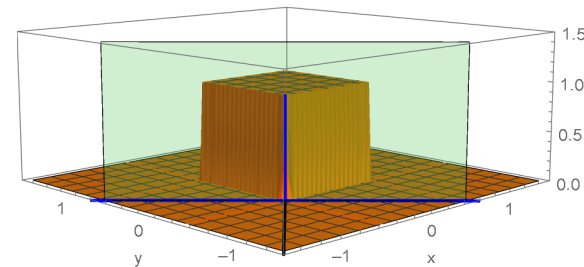
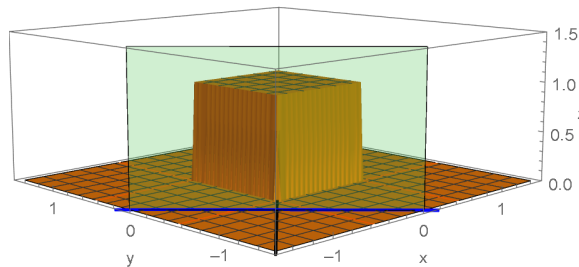
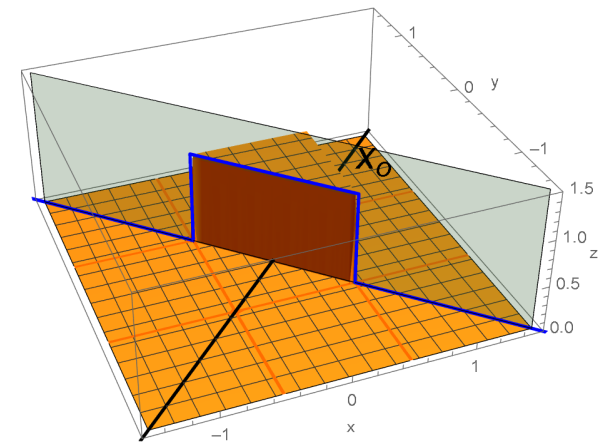
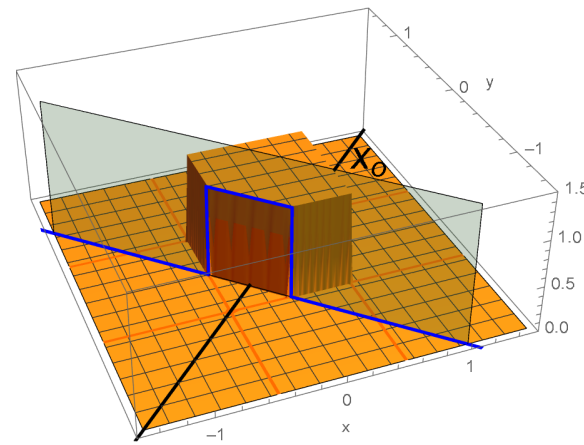
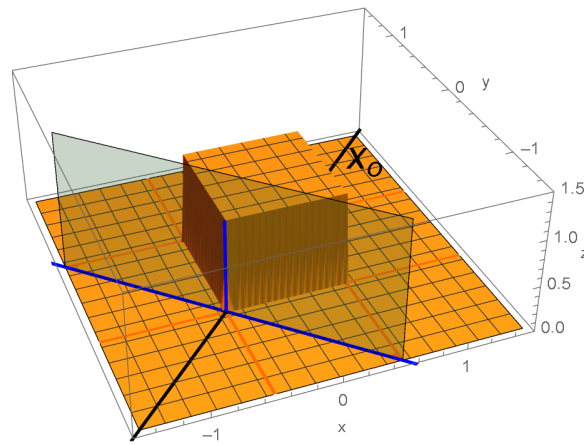
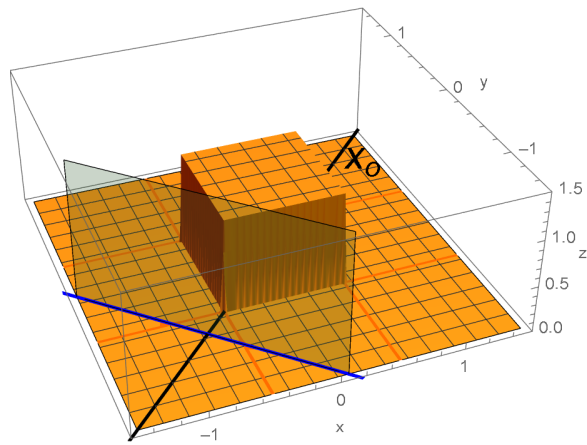
Radon Transform $g_{45}(x_o)$

$$x_o = -1$$

$$x_o = -\sqrt{2}/2$$

$$x_o = -\sqrt{2}/4$$

$$x_o = 0$$



$$Area = 0$$

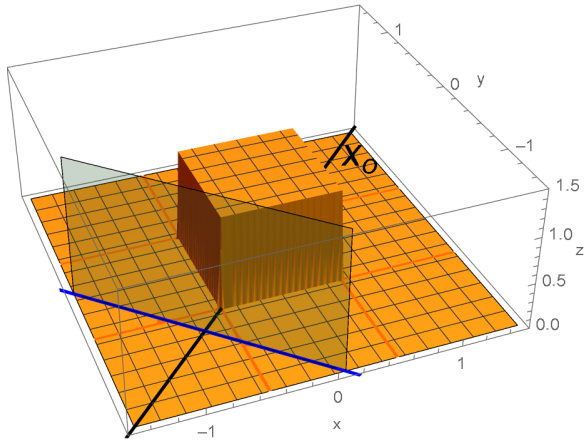
$$Area = 0$$

$$Area = \sqrt{2}/2$$

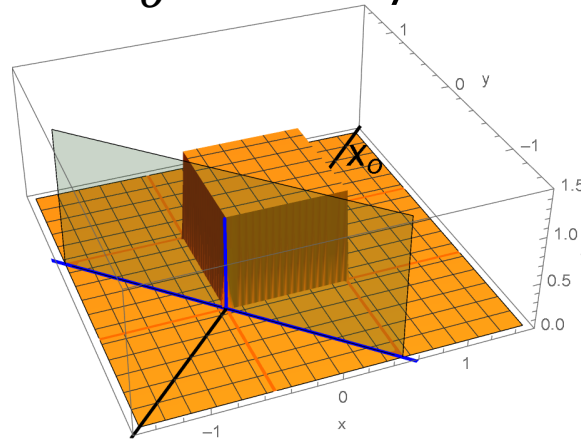
$$Area = \sqrt{2}$$

Radon Transform $g_{45}(x_o)$

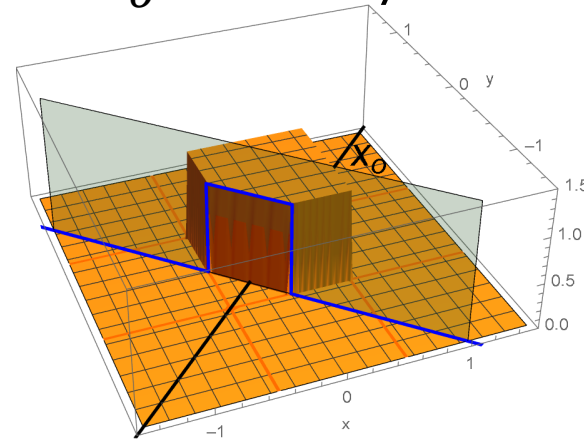
$$x_o = -1$$



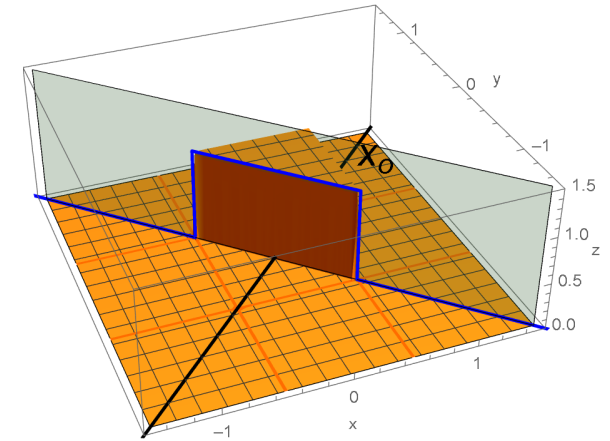
$$x_o = -\sqrt{2}/2$$



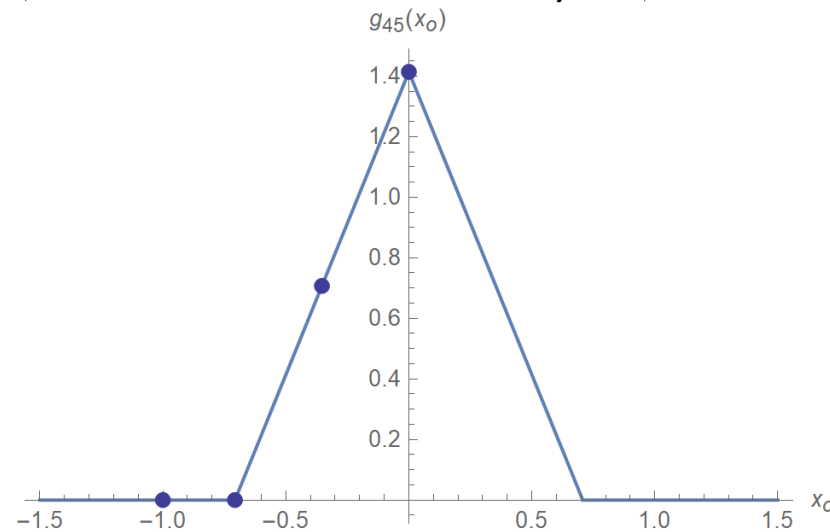
$$x_o = -\sqrt{2}/4$$



$$x_o = 0$$

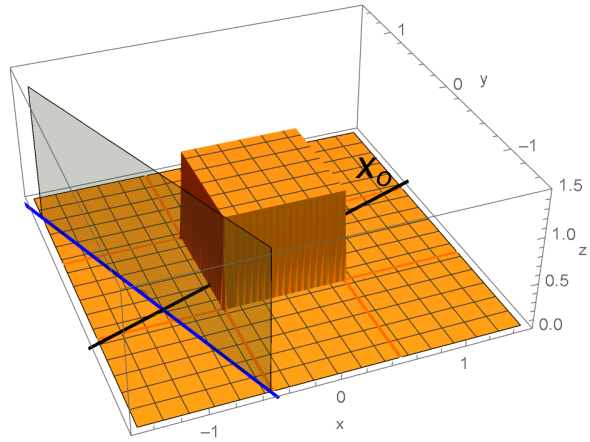


$$g_{45}(x_o) = \sqrt{2} \text{tri}(\sqrt{2}x_o)$$

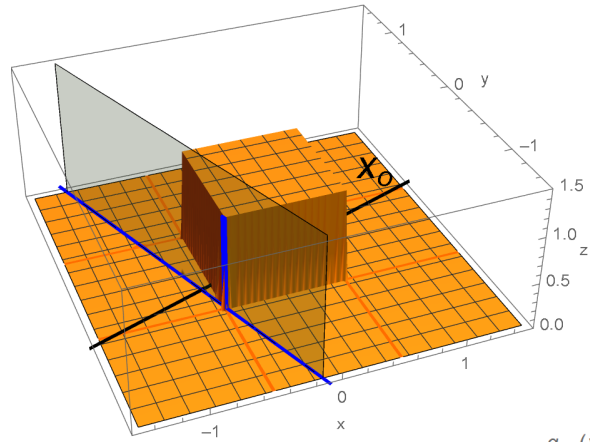


Radon Transform $g_{20}(x_o)$

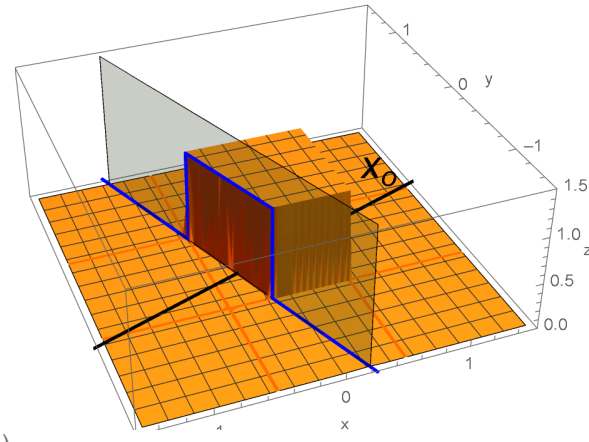
$$x_o = -1$$



$$x_o = -0.63$$



$$x_o = -0.31$$



$$x_o = 0$$

